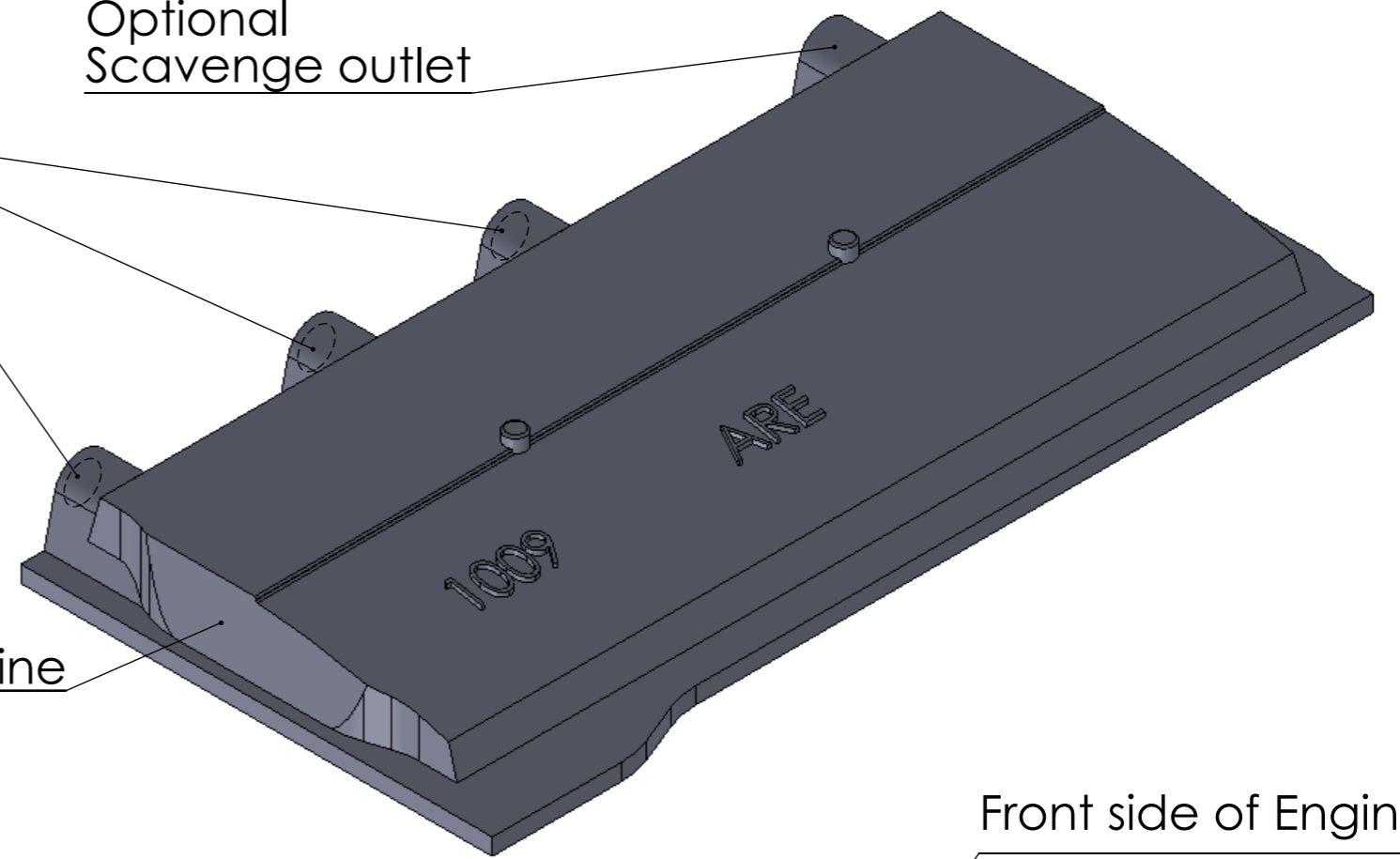


ARE LeMans Type  
 Ultra Shallow #1009  
 Use with 32555  
 Direct Mount Pump  
 4 Stage Roots

Optional  
 Scavenge outlet

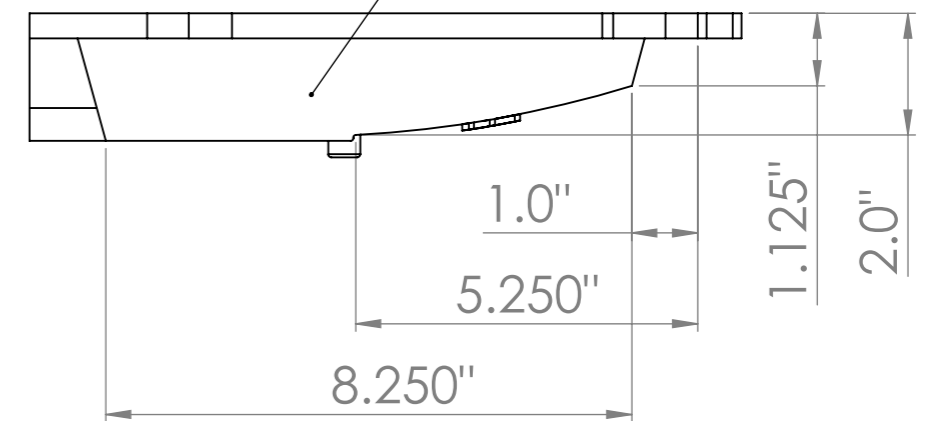
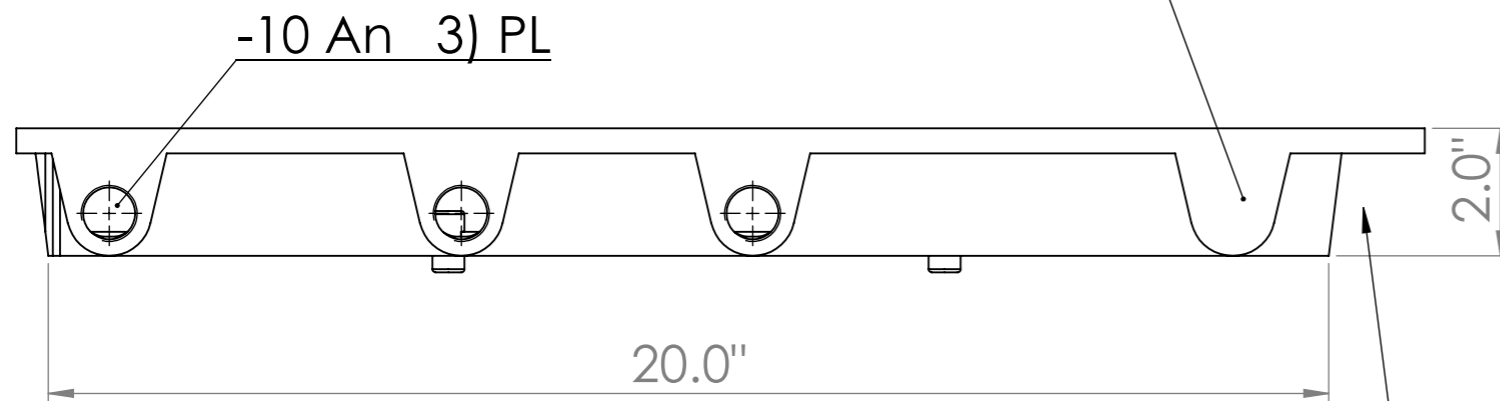
Scavenge outlet



Back side of Engine

Optional scavenge  
 Opening

Front side of Engine



Front side of Engine



PART #	# 1009
COMPANY:	A R E DRY SUMP WWW.DRYSUMP.COM
TITLE:	Oilpan LS 1-6 Ultra Shallow
SCALE:1:3	SHEET 1 OF 1

A3