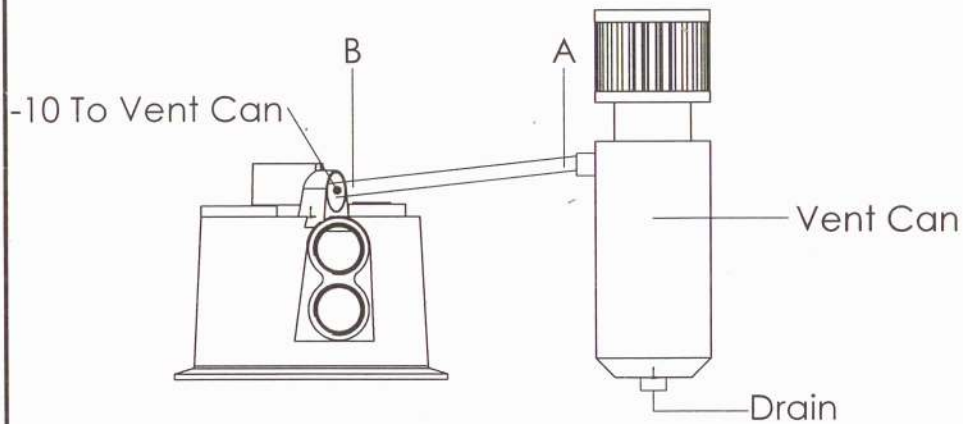
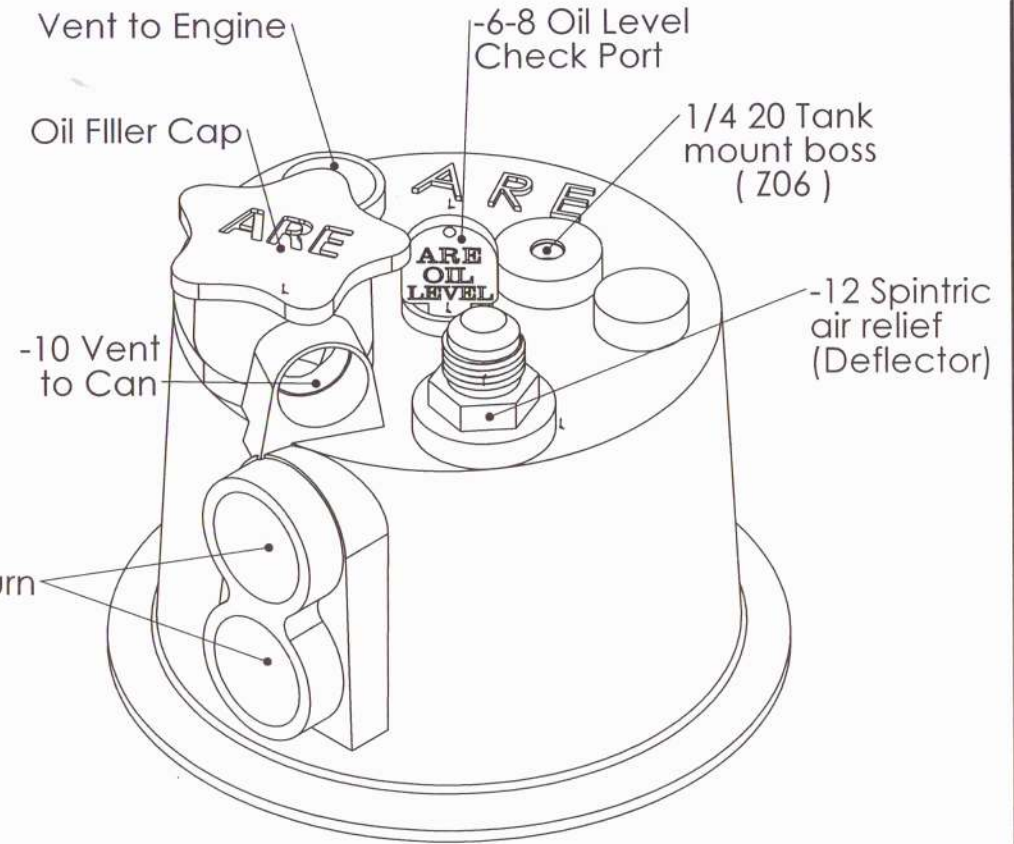


ARE 7000 "A" SERIES  
 DRY SUMP TANKS  
 4 AXIS CNC MACHINED  
 A356 T6 ALLOY



A-B: Hose from Vent Can to Tank can be any length as long as it slopes downward.

( # 7007-A ) Top Half Diagram

**WWW.DRYSUMP.COM**

|                    |              |             |
|--------------------|--------------|-------------|
| SCALE <-1:5, 1:2 ^ | APPROVED BY: | DRAWN BY NL |
| DATE 8/22/16       |              | REVISED     |